

# AutoBooster

To increase deliverable hot water capacity of any tank water heater

## Specifications

Electric Water Heater Booster

### Performance Features

- Increase deliverable hot water up to 45%
- Compact design
- Temperature accuracy +/- 1°F
- External controls for adjustable settings
- Digital user interface
- Easy installation on new or existing tank water heater
- No need for additional electrical infrastructure when used with an existing electric water heater
- Field replaceable element
- ETL certified for USA and Canada
- Warranty, five (5) years limited on leaks, one (1) year parts

### Product Specifications

<b>Dimensions</b>	8"H x 11.5"W x 3.75"D
<b>Weight</b>	4.75 lbs
<b>Voltage</b>	240
<b>Power</b>	7.2 kW
<b>Max. Amperage</b>	30 Amps
<b>Outlet Temperature Range</b>	Outlet Temperature Range: 80-140°F
<b>Operating Pressure</b>	Min. 25 PSI, Max. 150 PSI
<b>Water Connections</b>	Inlet: 3/4" NPT female Outlet: 3/4" NPT male



**NO LEAD\***

The wetted surface of this product contacted by water contains less than 0.25% lead and meets ANSI/NSF 372

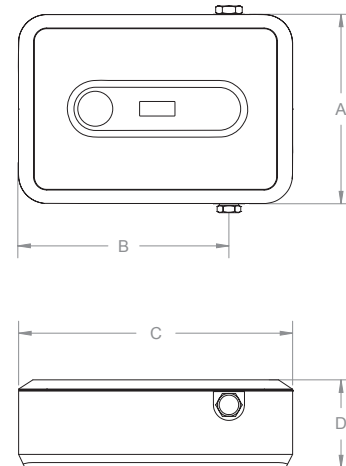
### Special Design Service

Inquiries for units for unique applications are welcome. Call our Technical Service department at **1-800-543-6163**.

### Suggested Specification

Water heater shall be an Eemax AutoBooster model number HATB007240.

Eemax AutoBooster to be connected to a tank water heater for increased hot water delivery. AutoBooster to utilize existing electrical infrastructure of electric tank water heater. AutoBooster to be mounted in horizontal orientation with inlet on the bottom and outlet on the top. AutoBooster water connections are Inlet 3/4" FNPT, and outlet 3/4" MNPT. AutoBooster may be wall mounted if available space is limited.



Dimensions	Imperial	Metric
<b>A</b>	7.9-in	200-mm
<b>B</b>	8.8-in	224-mm
<b>C</b>	11.4-in	290-mm
<b>D</b>	3.7-in	94-mm

# AutoBooster

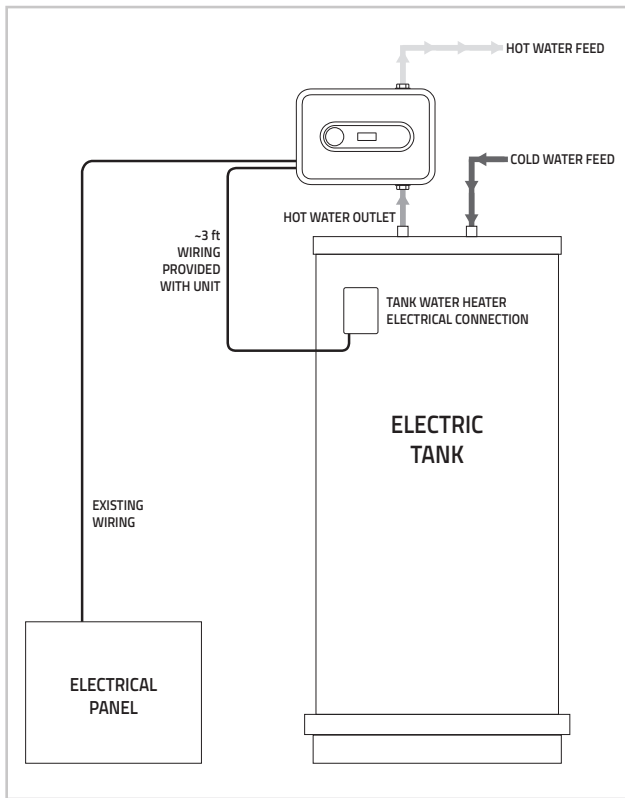
## Specifications

Electric Water Heater Booster

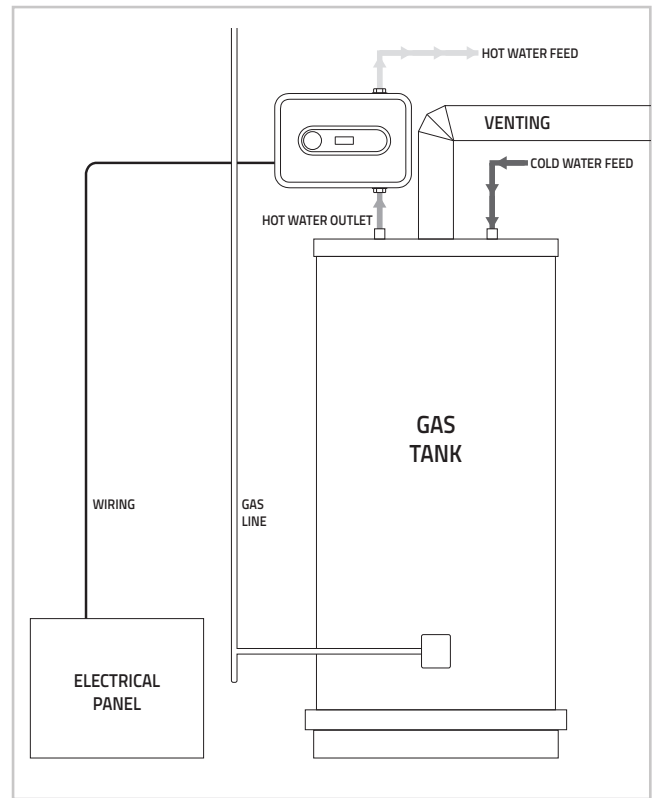
To increase deliverable hot water capacity of any tank water heater

MODEL NUMBER	KW	AMPS	MIN. FLOW (GPM)	MAX OPERATING PRESSURE	INLET FITTING	OUTLET FITTING
<b>240 VOLT</b>						
<b>HATB007240</b>	7.2 kW	30	0.3	150 PSI	3/4" NPT Female	3/4" NPT Male

Install on existing electric tank's hot water outlet.



Install on existing gas tank's hot water outlet.



\* Unit may be wall mounted if available space is limited.