

POINT OF USE

# Thermostatic Temperature Controlled Heater

With Code Compliant Integrated Mixing Valve



AccuMix Series  
MB Product Line  
1/2" Compression Fittings  
at Bottom of Unit

AccuMix Series  
MT Product Line  
3/8" Compression Fittings  
at Top of Unit

**ASSE 1070  
APPROVED  
MIXING VALVE**

**AN ENERGY-EFFICIENT, INSTANT  
WATER HEATER THAT HEATS  
ONLY THE WATER YOU USE!**

**NO LEAD\***



\*The wetted surface of this product contacted by water contains less than 0.25% lead and meets NSF/ANSI 372 for low lead content in drinking water.

# electric tankless water heater

MEET THE CODE WITH CONFIDENCE & SIMPLICITY!

heater contains an **ASSE approved** thermostatic **mixing valve** to prevent the risk of scalding!

## FEATURES:

- Eemax Exclusive Turnkey Solution
- Meets UPC 407.3 Requirements When Properly Installed
- No Scalding or Temperature Spikes
- Factory Calibrated Mixing Valve and Thermostatic Temperature Control Board for Accuracy
- Product Performance Test Indicator Light
- 99% Energy Efficient Reducing Your Utility Costs
- Quick and Easy Installation
- Integrated valve solution
- On-Demand Hot Water
- Factory Temperature Set to 105°F
- Quick Temperature Ramp Up Time
- Compatible with All Sensor and Non-Sensor Faucets
- Unit Dimensions: 13.5" H x 5" W x 4" D



Eemax, Inc., 400 Captain Neville Drive, Waterbury, CT 06705  
(800) 543-6163 Toll Free  
info@eemaxinc.com | [www.eemax.com](http://www.eemax.com)

© 2016 Eemax, Inc. All Rights Reserved. EX09001-12 REV 11/2016

# POINT OF USE

# Thermostatic Temperature Controlled Heater

With Code Compliant Integrated Mixing Valve



	VOLTAGE	POWER (KW)	# AERATORS SUPPLIED/UNIT	SUPPLY CIRCUITS REQUIRED	RECOMMENDED WIRE SIZE	TURN-ON (GPM)	WATER CONNECTIONS	COMPRESSION FITTINGS	TEMP RISE AT 0.5 GPM (F)	TEMP RISE AT 1.0 GPM (F)	TEMP RISE AT 1.5 GPM (F)
<b>MT PRODUCT LINE – 3/8" COMPRESSION FITTINGS AT TOP OF UNIT</b>											
MT004120T	120	3.5	1	29A	10AWG	0.3	3/8"	Top	48°	—	—
MT005240T	240*	4.8	1	20A	12AWG	0.3	3/8"	Top	64°	31°	21°
MT007240T	240*	6.5	2	27A	10AWG	0.3	3/8"	Top	†	44°	30°
MT010240T	240*	9.5	3	40A	8AWG	0.3	3/8"	Top	†	65°	43°
MT008277T	277	8.0	2	29A	10AWG	0.3	3/8"	Top	†	55°	36°
MT010277T	277	10.0	3	40A	8AWG	0.3	3/8"	Top	†	68°	46°
<b>MB PRODUCT LINE – 1/2" COMPRESSION FITTINGS AT BOTTOM OF UNIT</b>											
MB004120T	120	3.5	1	29A	10AWG	0.3	1/2"	Bottom	48°	24°	16°
MB005240T	240*	4.8	1	20A	12AWG	0.3	1/2"	Bottom	64°	31°	21°
MB007240T	240*	6.5	2	27A	10AWG	0.3	1/2"	Bottom	†	44°	30°
MB010240T	240*	9.5	3	40A	8AWG	0.3	1/2"	Bottom	†	65°	43°
MB012240T	240*	11.5	4	50A	6AWG	0.3	1/2"	Bottom	†	79°	52°
MB008277T	277	8.0	2	29A	10AWG	0.3	1/2"	Bottom	†	55°	36°
MB010277T	277	10.0	3	40A	8AWG	0.3	1/2"	Bottom	†	68°	46°

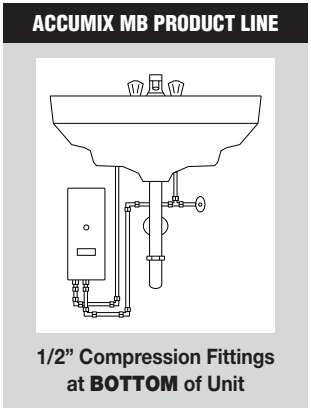
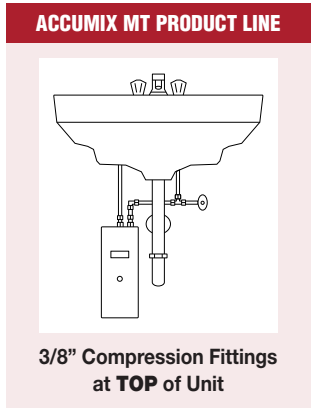


MT VERSION



MB VERSION

\*240V units can be used on 208V with 25% reduced temperature output.  
 †Units are factory preset to not exceed 105°F, regardless of the temperature rise.



Eemax, Inc., 400 Captain Neville Drive, Waterbury, CT 06705  
 (800) 543-6163 Toll Free  
 info@eemaxinc.com | www.eemax.com